

有限会社ケイテック

URL : <http://k-tech-co-ltd.sakura.ne.jp>

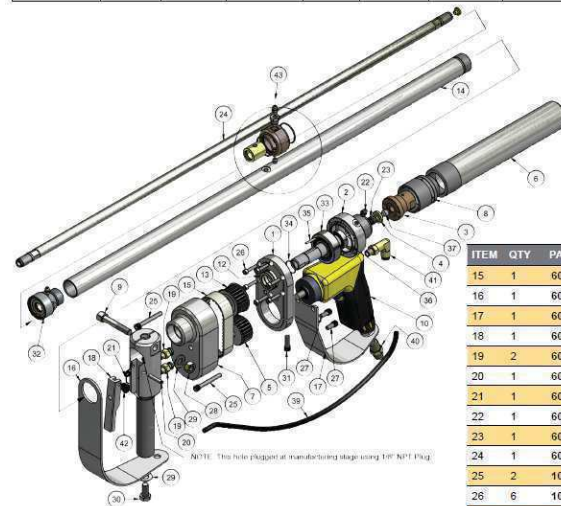
E-MAIL : k-tech@m2.pbc.ne.jp

PHONE : 090-9846-7017

The APS COBRA is an air-operated control gun with a rotating barrel. The simple, robust design combined with the high quality of manufacture, makes this the perfect tool for Ultra High Pressure Jetting applications. When used together with our Tri-Mode Control Valve, the combination is the most cost effective and easy to use and maintain system on the market. It is ideal for the removal of paint and corrosion leaving a white metal finish, which is ready for coating.



Part #	Barrel Length In.	Overall Length In.	Rotation Speed RPM	Weight Lbs.	Air Demand		Operating Pressure PSI	Max. Flow GPM	Required Inlet Connection	Nozzle Connection
					Pressure PSI	Volume CFM				
60-072-001	36"	46"	1700-3000	10.75	90	22	40,000	7	3/8" HP Female	9/16" HP Button
60-072-062	48"	58"	1700-3000	12.3	90	22	40,000	7	3/8" HP Female	9/16" HP Button



ITEM	QTY	PART #	DESCRIPTION
1	1	60-072-002	40 K COBRA - Back Plate
2	1	60-072-004	40K COBRA - Swivel Bearing Housing
3	1	60-072-005	40K COBRA - Swivel Inlet Adapter
4	1	60-072-006	40K COBRA - Swivel Seal Back Up Ring
5	1	60-072-007	40K COBRA - Pulley, Drill Motor. Alum. 26 Pitch Drive
6	1	60-072-008	40K COBRA - Hose Protector
7	1	60-072-009	40K COBRA - Belt Drive Cover
8	1	60-072-010	40K COBRA - Bearing Retaining Cap
9	1	60-072-012	40K COBRA - Cam Stud/Barrel Shroud
10	1	60-072-013	40K COBRA - Barrel Shroud
11	1	60-072-015	40K COBRA - Front Handle
12	1	60-072-016	Grease Seal
13	1	60-072-020	40K COBRA - Timing/Drive Sprocket
14	1	60-072-019	40K COBRA - Barrel Shroud

ITEM	QTY	PART #	DESCRIPTION
15	1	60-072-022	Timing/Drive Belt
16	1	60-072-027	40K COBRA - Air Motor Trigger Guard
17	1	60-072-028	40K COBRA - Front Handle Trigger Guard
18	1	60-072-025	40K COBRA - Trigger, Front handle
19	2	60-072-031	Connector - 1/8" NPT Prestolok
20	1	60-072-032	40K COBRA - Front Handle Trigger Pin
21	1	60-072-033	40K COBRA - Front Handle Trigger Pin
22	1	60-072-023	Grease Zeik
23	1	60-072-026	Oil/Grease Seal
24	1	60-072-035	40K COBRA - Barrel 9/16"-18 UHM B/E x 34-3/16" Long
25	2	10-001-175	SHCS 1/4"-20 x 1-3/4" Long
26	6	10-008-075	SHCS 10-32 x 3/4" Long
27	2	10-001-050	SHCS 1/4"-20 x 1/2" Long
28	1	10-100-002	3/8"-16 Nylon Lock Nut.
29	2	10-010-001	Flat washer 3/8" SS
30	1	10-016-075	Hex. bolt, 3/8"-16 x 3/4" Long SS
31	1	10-003-075	SHCS 1/4"-28 x 3/4" Long
32	1	60-072-070	Front Bearing Assembly
33	1	60-072-141	40K COBRA - Shaft/Bearing Assembly
34	1	60-072-037	Spiral Retaining Clip
35	1	60-072-038	Keyway Pin
36	1	30-002-031	O-Ring, 2-013 Buna 70 Dur.
37	1	60-072-049	40K COBRA - Swivel Shaft Seal
38	1	60-072-041	40K Brass Button Seal J/S
39	1	60-072-040	1/4" Air Tubing
40	1	60-072-042	Fitting 3/8" JIC x 1/4" NPT
41	1	60-072-039	Swivel elbow - 1/4" x 1/8" NPT Prestolok
42	1	60-072-034	Rubber Insert for Front Trigger
43	1	60-072-024	Center Barrel Bearing Assembly

有限会社ケイテック

URL : <http://k-tech-co-ltd.sakura.ne.jp>

E-MAIL : k-tech@m2.pbc.ne.jp

PHONE : 090-9846-7017



The 40K "TRI-MODE VALVE" (commonly called a Tumble Box) has been developed after extensive research aimed at identifying the features that contractors and end users needed most. The air side incorporates a robust easy to operate shut off valve, a large easy to read horizontally mounted gauge, which is protected by a heavy rubber buffer. The shuttle valve is a simple cartridge type design, which is easy to service and replace.

Air Side



Part #	Description
60-070-076	Complete Tumble Box

Cartridge Overhaul
In less than a minute!



#60-070-111



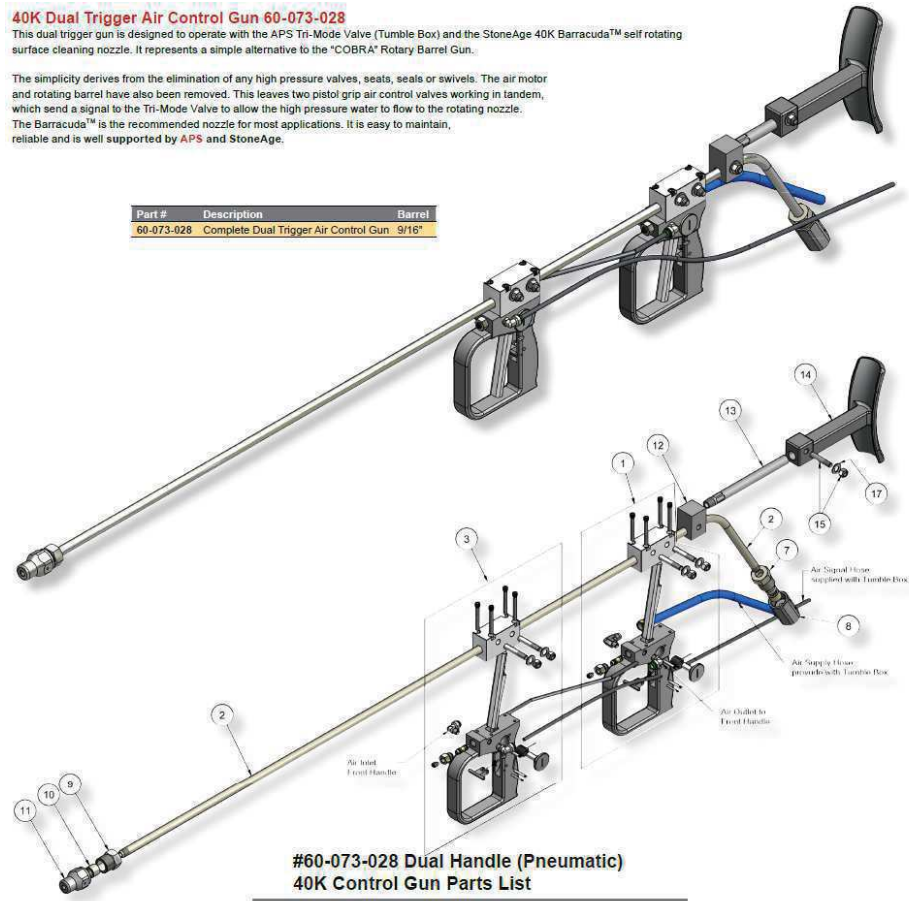
Water Side

40K Dual Trigger Air Control Gun 60-073-028

This dual trigger gun is designed to operate with the APS Tri-Mode Valve (Tumble Box) and the StoneAge 40K Barracuda™ self rotating surface cleaning nozzle. It represents a simple alternative to the "COBRA" Rotary Barrel Gun.

The simplicity derives from the elimination of any high pressure valves, seats, seals or swivels. The air motor and rotating barrel have also been removed. This leaves two pistol grip air control valves working in tandem, which send a signal to the Tri-Mode Valve to allow the high pressure water to flow to the rotating nozzle. The Barracuda™ is the recommended nozzle for most applications. It is easy to maintain, reliable and is well supported by APS and StoneAge.

Part #	Description	Barrel
60-073-028	Complete Dual Trigger Air Control Gun	9/16"



#60-073-028 Dual Handle (Pneumatic) 40K Control Gun Parts List

ITEM	QTY	PART #	DESCRIPTION
1	1	60-073-015	Pneumatic Gun Handle (Rear)
2	1	60-073-016	9/16" Barrel for 40K Dual Handle pneumatic Gun
3	1	60-073-010	Pneumatic Gun Handle (Front)
7	1	22-008-003	9/16" Anti Vibration Collet Assembly
8	1	22-011-113	9/16" HP Coupler without Gland Nut & Collar
9	1	22-003-003	9/16" HP Gland Nut
10	1	22-002-003	9/16" HP Collar
11	1	17-027-000	Nozzle Holder 9/16" HP x 3/8"-24 UNF (40K Dump Gun)
12	1	60-073-014	Shoulder Stock Mounting Block
13	1	60-010-009	Shoulder Stock Tube
14	1	60-010-003	Shoulder Stock
15	1	60-010-017	Cam Stud (Incl. Nylon Lock Nut)
16	1	10-100-002	3/8"-16 Nylon Lock Nut
17	1	10-010-001	3/8" Plain Washer

有限会社ケイテック

URL : <http://k-tech-co-ltd.sakura.ne.jp>

E-MAIL : k-tech@m2.pbc.ne.jp

PHONE : 090-9846-7017

40K Pneumatic Dual & Single Handle Control Guns

These guns, combined with the StoneAge Barracuda rotating nozzle, can be used in place of the more costly rotary barrel guns (e.g. COBRA) for most applications including surface preparation. These guns are used to send the air signal to a tumble box, which controls the flow of high pressure water. The gun does not have any high pressure seals, valves or cartridges to maintain or replace. Single or dual trigger configurations are available. Working pressures to 40K. Uses the same air hoses as the rotary gun.



Part #	Description	Barrel
60-073-027	Complete Single Trigger Air Control Gun	9/16"

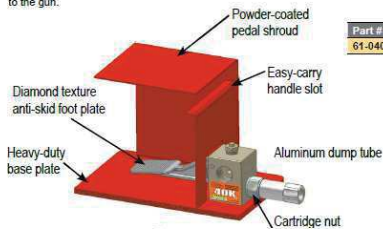
Complete 40K Air Control Gun
Note: 40K Barracuda not included
See Part # 36-001-003

#60-073-027 Single Handle (Pneumatic) 40K Control Gun Parts List

ITEM	QTY	PART #	DESCRIPTION
1	1	60-073-014	Shoulder Stock Mounting Block
2	2	60-010-017	Shoulder Stock Cam Stud (incl. Nylon Lock nut)
3	2	10-010-001	3/8" Plain Washer SS.
4	1	60-010-003	Shoulder Stock
5	1	22-008-003	9/16" Anti Vibration Collet Assembly
6	1	22-011-113	9/16" HP 40K Coupler Without Gland Nut & Collar
7	1	60-010-009	Shoulder Stock Tube
8	1	17-027-000	Nozzle Holder 9/16" HP x 3/8"-24 UNF
9	1	22-003-003	9/16" HP Gland Nut
10	1	22-002-003	9/16" HP Collar
11	1	60-073-016	9/16" HP Air Gun Barrel 40K
12	1	60-073-015	Pneumatic Control Gun - Single/Rear Assembly
13	1	60-020-008	9/16" MP/HP QUICK ADJUST FRONT HANDLE ASSEMBLY

40K Foot Operated Dump Style Control Guns

Typical Foot Gun Hookup These foot operated control valves (foot guns) are designed for smooth reliable operation. They are easily rebuilt in the field in 30 seconds by unscrewing the dump tube, which removes the used valve assembly. The operator then snaps a new cartridge style valve into the dump tube adapter and returns the whole assembly to the gun.



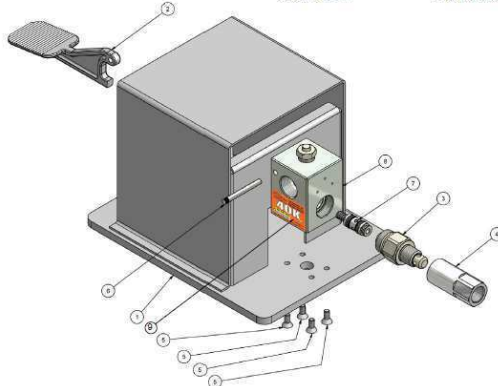
Part #	Description
61-040-003	Complete Foot Style Control Gun

Features:

- Fully enclosed safety shrouds.
- Easy-carry handles.
- Quick-change cartridge overhaul.
- Non-slip diamond texture foot pedals.
- Powder-coated pedal shroud.
- Cartridge nut / dump adapter.
- 9/16" HP connection.
- Aluminum dump tube.
- Heavy-duty base plate.



Easy-Change Cartridge Assembly The cartridge assembly enables rebuilding of the gun in the field in 30 seconds or less with common tools.



Item	Part #	Description
1	61-010-004	Foot Gun Base Complete Assembly
2	61-010-007	Foot Pedal
3	61-040-002	Dump Adapter 40K Foot Gun
4	61-010-002	Dump Tube
5	10-201-063	C'sink Screw 1/2"-20 x 5/8" Long
6	61-020-005	Foot Pedal Pivot Pin
7	60-040-005	40K Gun Cartridge Assembly
8	61-040-001	Foot Gun Block 40K Assembly
9	61-040-001D	40K psi Safety Decal - Gun Block

40K Air-Operated Dump Valves The Air-Operated Dump Valve allows an operator to remotely control pressure in cleaning applications of 40,000 psi. When air is sent to the cylinder, the valve closes and allows the system to build pressure. The valve opens when the air is exhausted, reducing system pressure to near atmospheric.

Part #	Description
61-040-007	Complete Air-Operated Dump Valve
61-040-006	Air-Operated Dump Valve with Base



- 30-second field replaceable cartridge design for minimal downtime.
- All components precision machined from stainless steel.
- Remote pneumatic operation for reduced operator fatigue and added convenience and safety.
- Inlet and outlet connections threaded 9/16 MP.
- Heavy-duty air cylinder

ITEM	QTY	PART #	DESCRIPTION
1	1	61-040-001	40K Foot Gun Block (Assembly)
2	1	61-010-002	Dump Tube
3	1	61-040-002	Dump Adapter - 40K Foot Gun
4	1	61-040-008	Plunger - 40K Air Actuator Valve
5	1	61-040-011	Mounting Plate - 40K Air Actuator
6	1	61-020-005	Pivot Pin - Foot Gun
7	1	61-001-004	Parker Air Actuator Cylinder
8	1	60-040-005	40K Cartridge Assembly
9	4	10-001-200	SHCS - 2" Long SS
10	5	10-001-1125	SHCS - 1-1/8" Long
11	1	61-001-002	SPACER BLOCK
12	2	61-040-001D	40K psi Safety Decal - Gun Block

