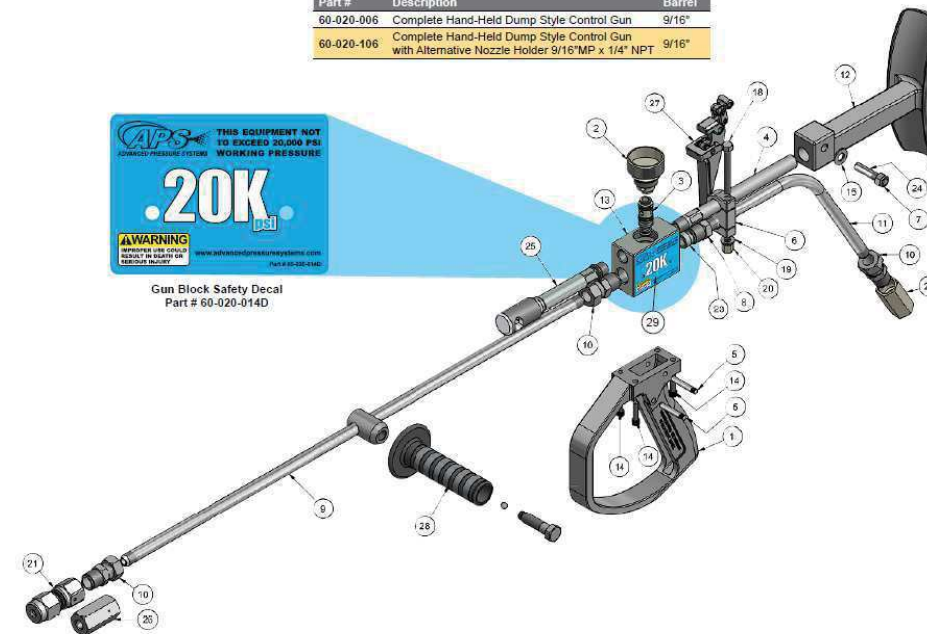


20K Hand-Held Dump Style Control Guns

- These guns are the new standard and are built tough for the demands of today's contracting environment.
- These control guns incorporate many superior features.
- They are lightweight and are easy to overhaul in the field using a cartridge which is interchangeable with Jetstream guns of the same pressure rating.
- The shoulder stock and handgrip are both adjustable and the trigger has a safety lock to prevent accidental discharge.
- Front barrels are 48" long with standard 9/16" MP size.

Part #	Description	Barrel
60-020-005	Complete Hand-Held Dump Style Control Gun	9/16"
60-020-106	Complete Hand-Held Dump Style Control Gun with Alternative Nozzle Holder 9/16"MP x 1/4" NPT	9/16"



ITEM	QTY	PART NUMBER	DESCRIPTION	ITEM	QTY	PART NUMBER	DESCRIPTION
1	1	60-010-001	Gun Handle	15	1	10-010-001	Plain 3/8" SS washer
2	1	60-020-005	"Handi Change" Cartridge Nut 20K	18	1	10-017-250	Clamp Bolt SS 5/16"-18 x 2-1/2" long
3	1	60-020-010	20K Cartridge Assembly	19	1	10-010-002	5/16" Flat Washer
4	1	60-010-009	Shoulder Stock Tube	20	1	10-100-003	Nylon Lock Nut 5/16"-18
5	2	60-010-021	Trigger Pivot Pin	21	1	17-025-000	Nozzle Holder Assembly
6	1	60-020-012	Inlet Tube Clamp	22	1	21-012-103	Coupling 9/16"MP (Without Gland Nut & Collar)
7	1	10-100-002	Nylon Lock Nut	23	1	21-003-003	Collar
8	1	21-002-003	Gland Nut 5625	24	1	60-010-017	Shoulder Stock Cam Stud
9	1	21-022-048	MP Nipple 48" Long	25	1	60-010-057	Dump Tube Assembly
10	3	21-005-003	Anti-Vibe Assy 5625	26	1	20-028-101	9/16"MP x 1/4" NPT(Alternative Nozzle Holder)
11	1	60-020-007	Gun Inlet Tube 20K	27	1	60-010-061	Trigger & Cam Assembly w/Safety Latch
12	1	60-010-003	Shoulder Stock	28	1	60-020-008	9/16" MP/HP QUICK ADJUST FRONT HANDLE ASSEMBLY
13	1	60-020-014	Gun Block 20K	29	1	60-020-014D	20K psi Safety Decal - Gun Block
14	4	10-001-100	SHCS 1"				